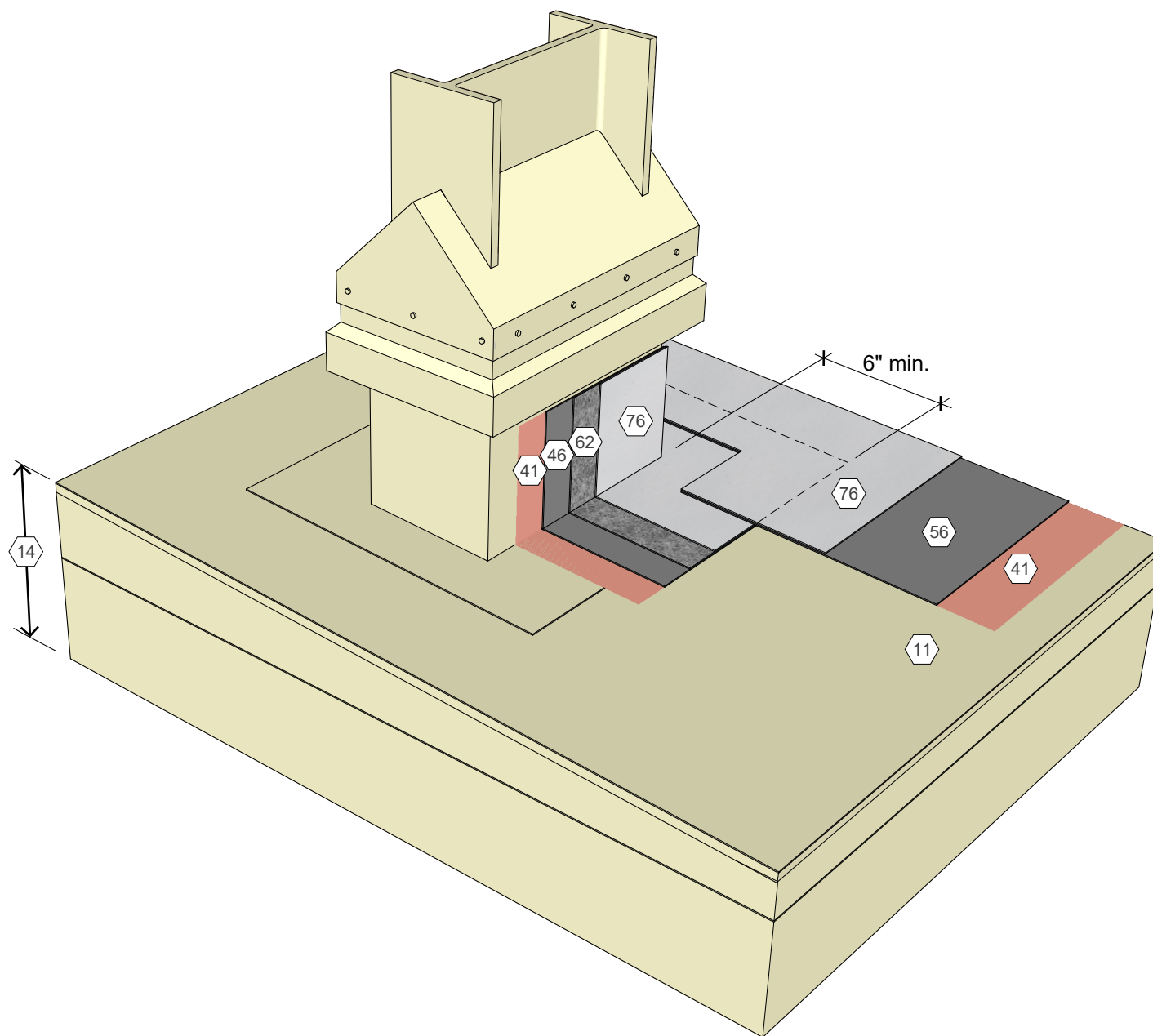


## KEY NOTES

- 11 Existing Single-Ply Membrane
- 14 Existing Structural Deck and Insulation Assembly
- 41 Approved Primer
- 46 SOLARGARD Seam Sealer or SOLARGARD 6083 Base Coat
- 56 SOLARGARD 6083 Base Coat
- 62 Permafab
- 76 SOLARGARD 6083 Finish Coat

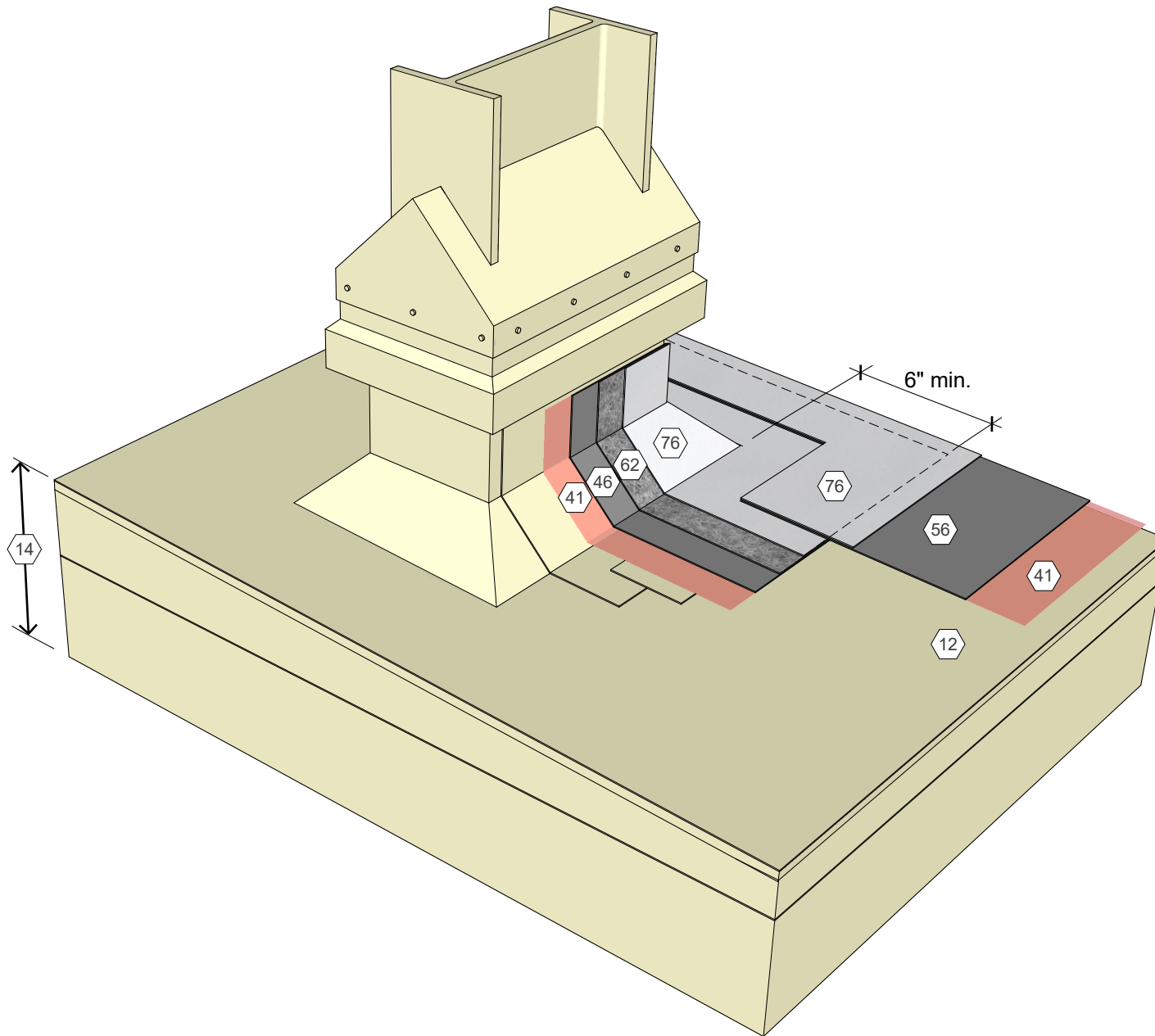


SOLARGARD® 6083 Restoration Detail, Single-Ply, Structural Member Through Roof Deck  
Detail 18141

**TREMCO**  
ROOFING & BUILDING MAINTENANCE

### KEY NOTES

- 12 Existing MB or Smooth BUR
- 14 Existing Structural Deck and Insulation Assembly
- 41 Approved Primer
- 46 SOLARGARD Seam Sealer or SOLARGARD 6083 Base Coat
- 56 SOLARGARD 6083 Base Coat
- 62 Permafab
- 76 SOLARGARD 6083 Finish Coat



SOLARGARD® 6083 Restoration Detail, MB or Smooth BUR, Structural Member Through Roof Deck  
Detail 18142